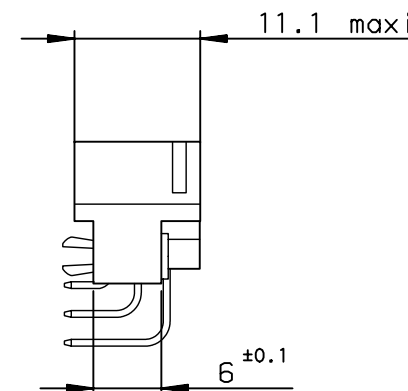
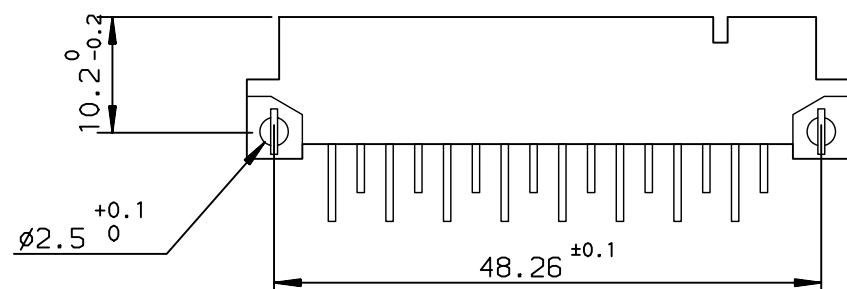
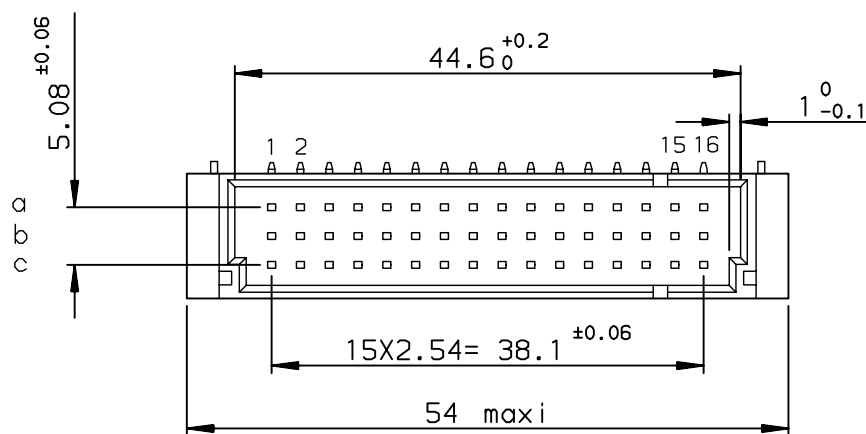
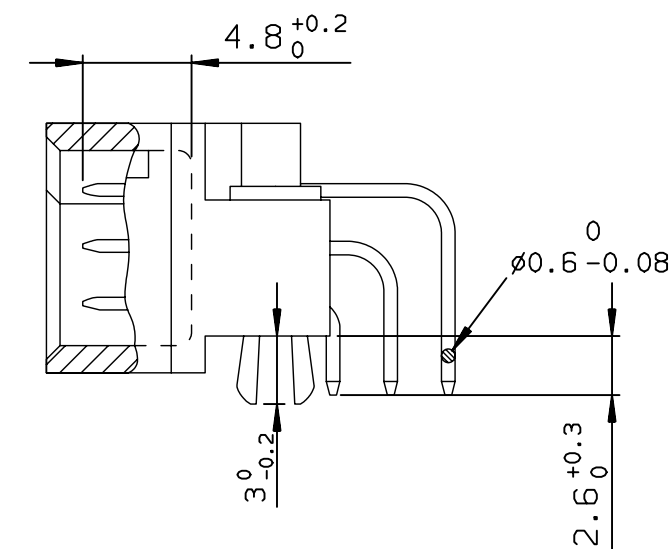


# DIMENSIONS

GENERAL CHARACTERISTICS : SEE DRAWING REF. C-8609-0000

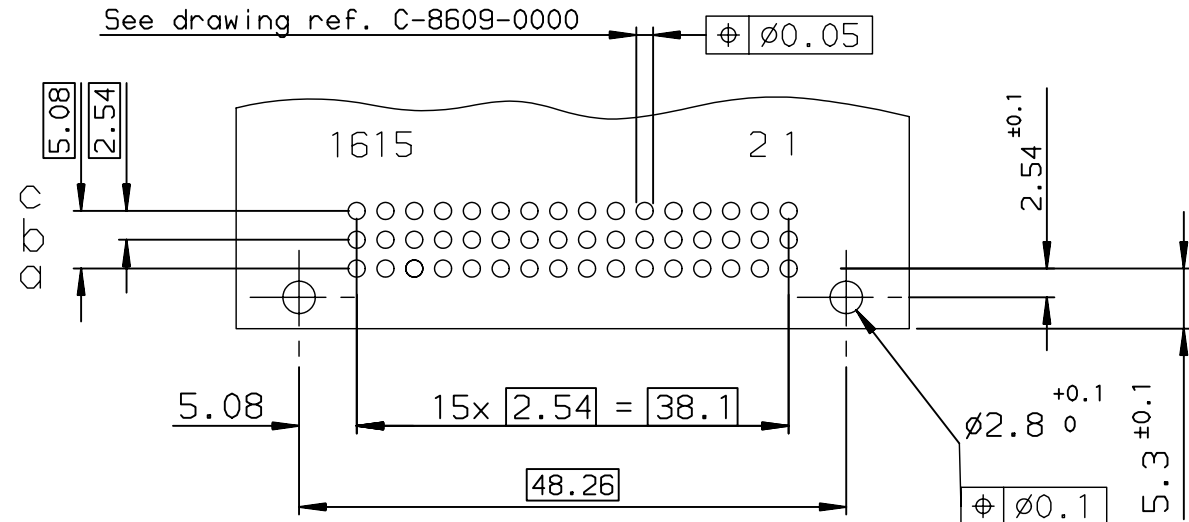


## TERMINATION



## P.C. CARD DRILLING (Component side view)

See drawing ref. C-8609-0000



SPECIFICATION 013 = 24 contacts in position :  
 row : a cavity : 1-3-5-7-9-11-13-15  
 row : b cavity : 2-4-6-8-10-12-14-16  
 row : c cavity : 1-3-5-7-9-11-13-15

Part number: 8609-324-73-13-H50-013-E1

European Views

www.fciconnect.com		surface ISO 1302 ✓	tolerance std ISO 406 ISO 1101	projection mm
TOLERANCES UNLESS OTHERWISE SPECIFIED				
Dr	ROUILLARD	2001/02/14	ANGULAR	0.X ±0.1
Eng	ROUILLARD	2001/02/14	LINEAR	0.XX ±0.1
Chr	H LEGALLIC	2001/02/14	0.XX' ±2'	0.XXX ±0.1
Appr	H LEGALLIC	2001/02/14	Product family	DIN STD
title STANDARD MALE 3 ROW C/2 24 CONTACTS			size A3	Scale 1.5
catalog no			ECN LS06-0208	Spec ref -
title C-8609-1000			dwg no C-8609-1000	Rev. B
CUSTOMER			sheet 1 of 1	

rev	ecn no	dr	date
A	-	-	2001/02/14
B	LS06-0208	LGO	2006/12/16
-	-	-	-
-	-	-	-
-	-	-	-
-	-	-	-